

Martin Ottersten

Industrial PhD student

Swegon AB, Chalmers University of Technology

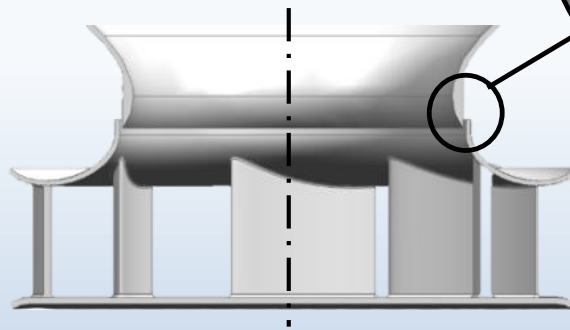
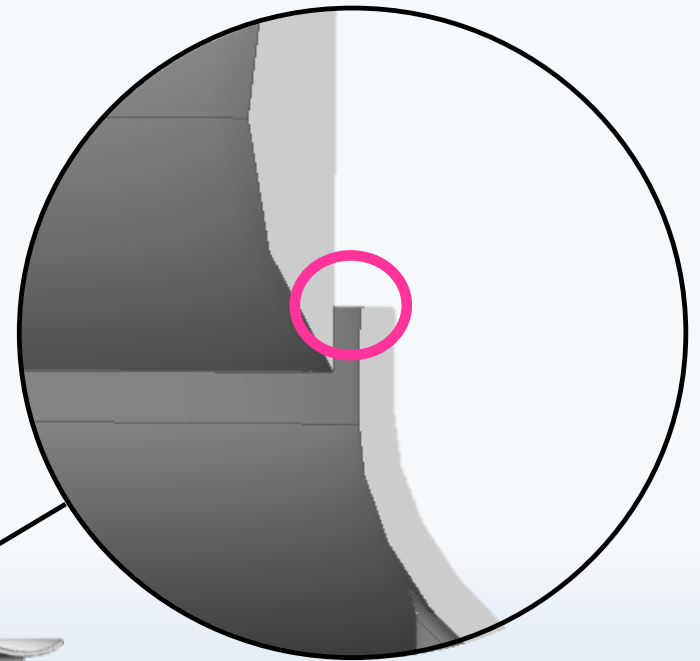
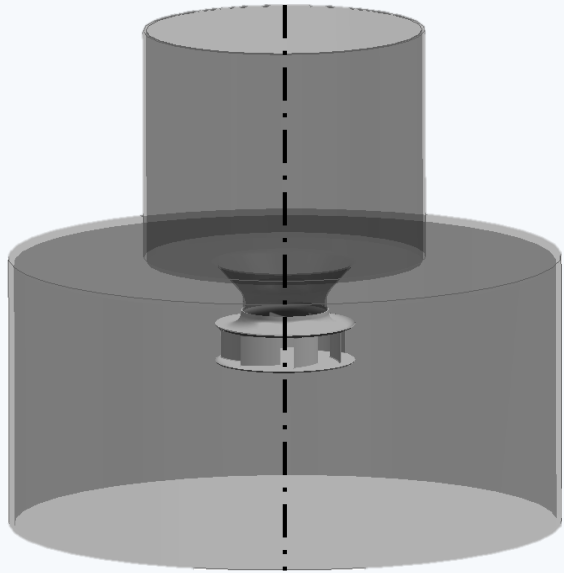






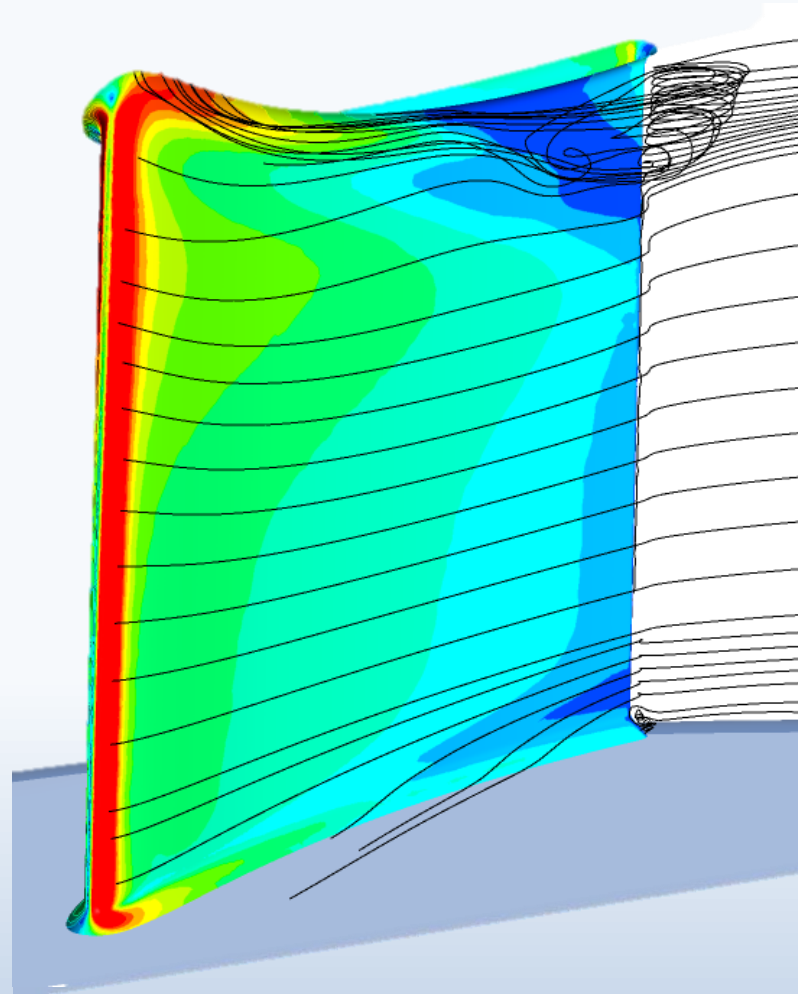
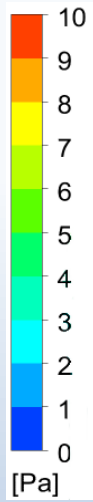




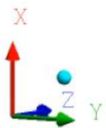
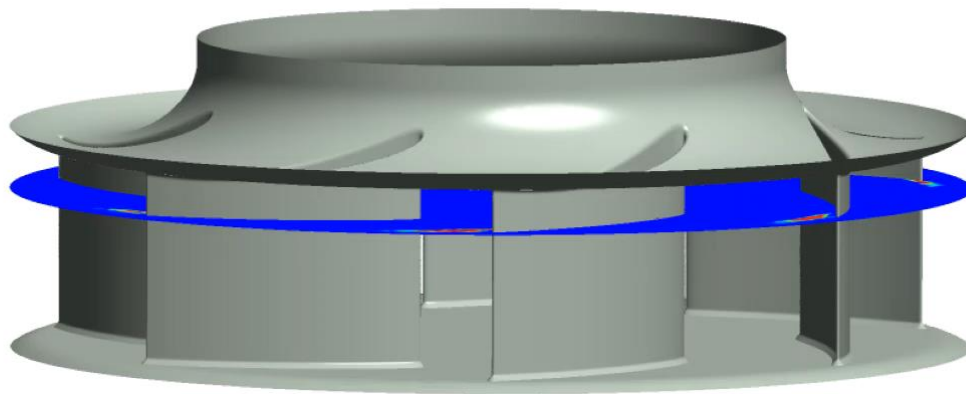
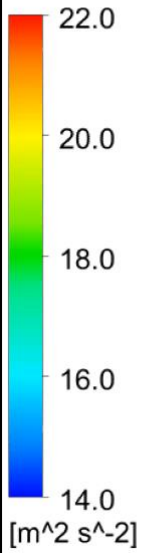


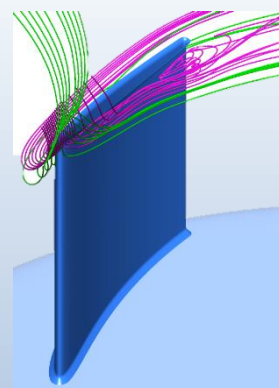
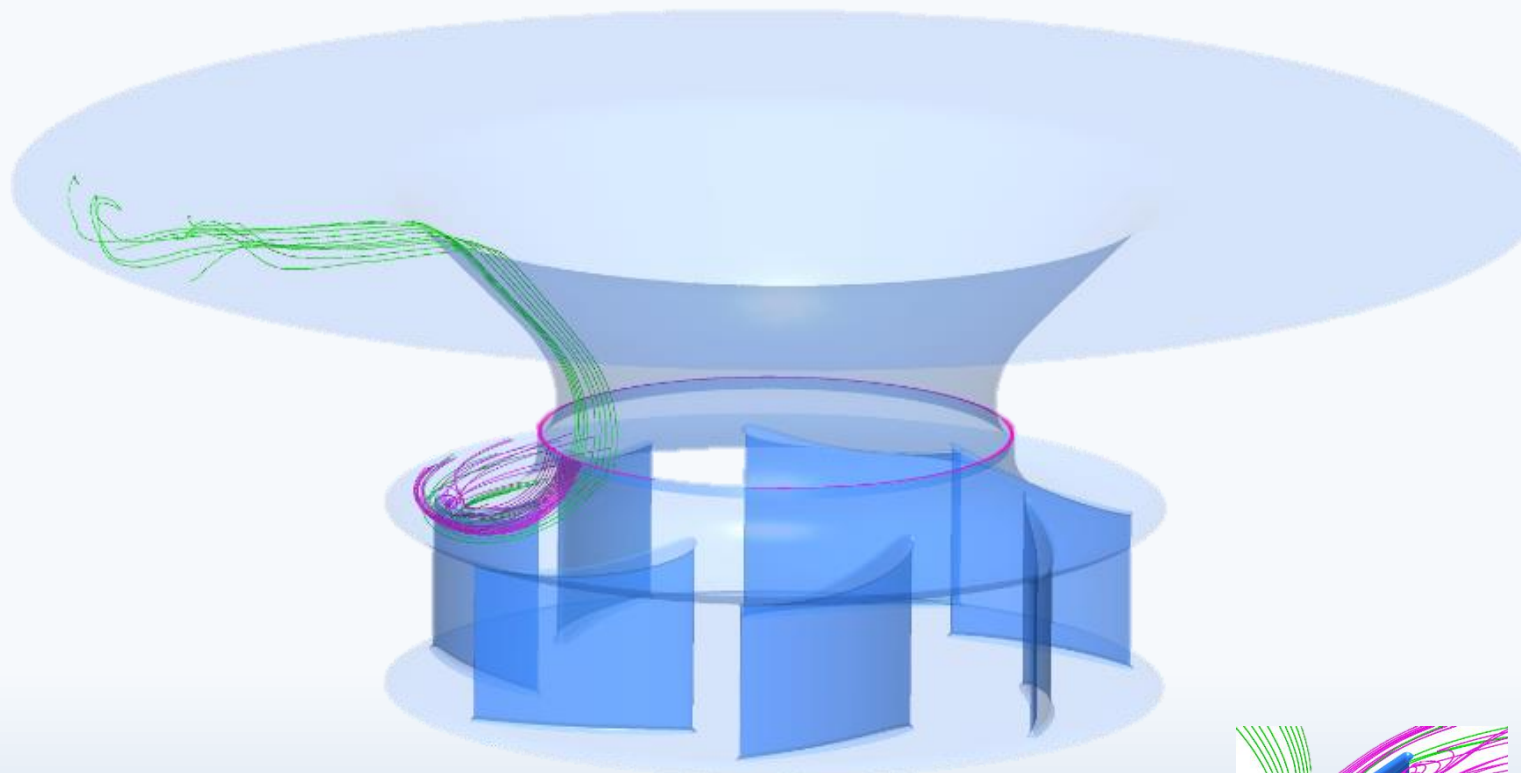
What happens physically?

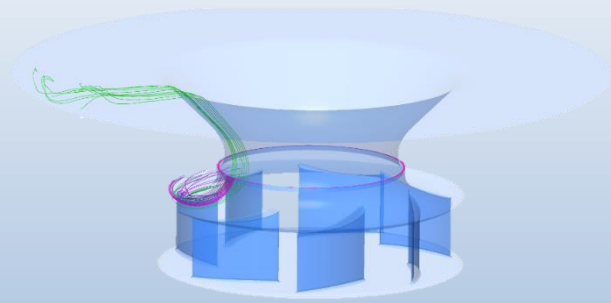
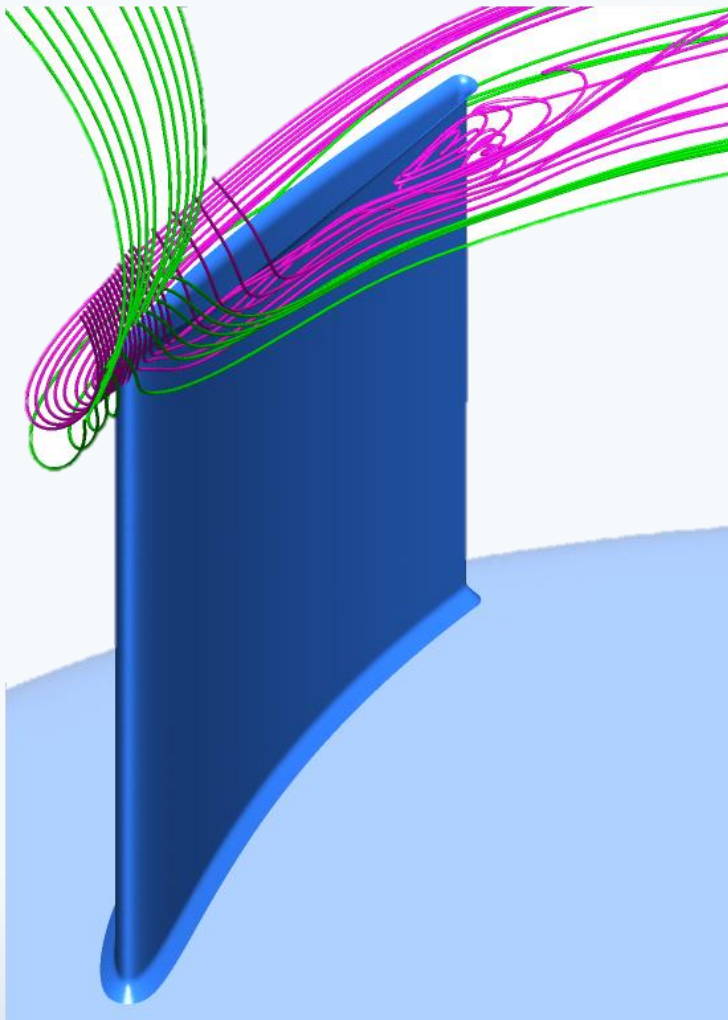
Wall shear stress



Turbulence Kinetic Energy
Plane normal rotation axis









“Sound of silence”

Simon & Garfunkel